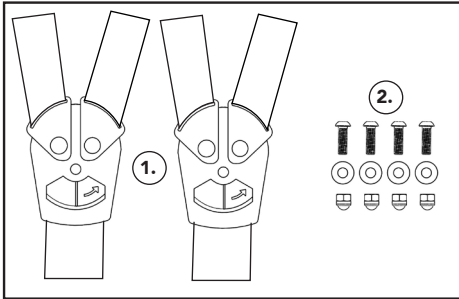
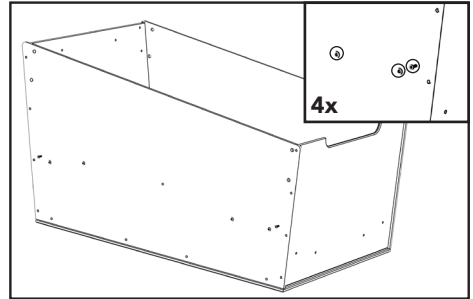


Overview of the parts



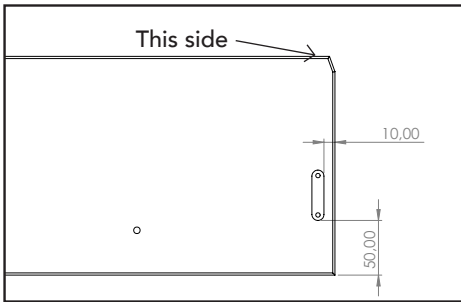
1. Seatbelt (2x), 2. Bolt M6 x 20 (4x) + Washer M6 (4x) + Nut M6 (4x). **Take note that:** the other needed parts will be reused from the existing benches.

Remove the existing benches



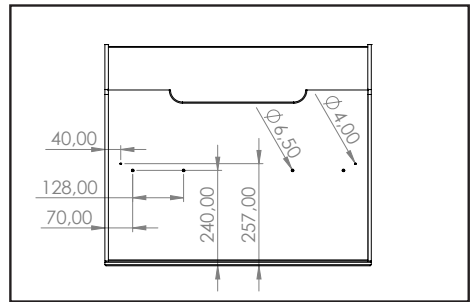
Remove the two existing benches and their supports. All the parts except the bench will be reused.

Step 2. Replace the magnet strip



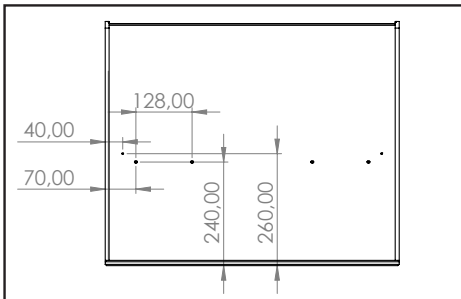
The magnet strips (+screws) from the existing benches will be reused on the new benches. Make sure they are placed on the correct side of the bench, see the picture above.

Step 3. Drill holes (frontside)



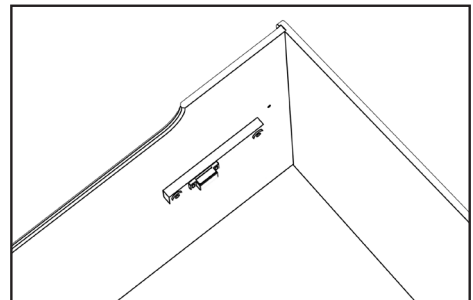
Drill 4 holes with a diameter of 6.5 mm and 2 holes with a diameter of 4 mm in the front-side of the box.

Step 4. Drill holes (backside)

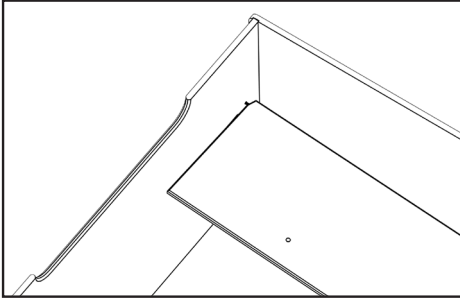


Drill 4 holes with a diameter of 6.5 mm and 2 holes with a diameter of 4 mm in the back-side of the box.

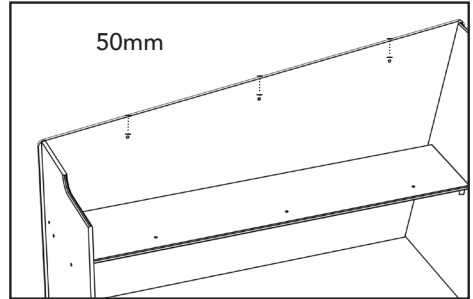
Step 5. Mount the bench supports



Mount the 4 bench supports in the box with the existing bolts and nuts. The support with the magnet needs to be mounted in the front.

Step 6. Mount the benches

Mount the two new benches with the existing screws.

7. Drill holes (side) and mount the seatbelts

Drill 3 holes aligned with the holes in the bench approximately 50 mm from the top with a diameter of 6mm and mount the 6 seatbelts.