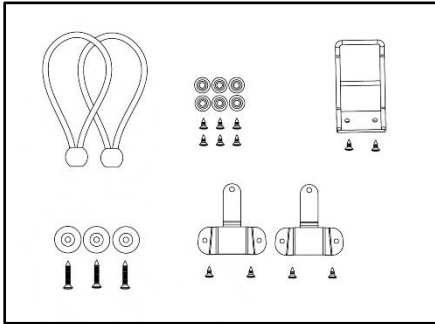


# 1 Manual 90% open canopy

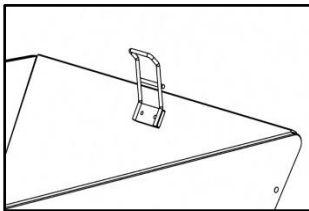
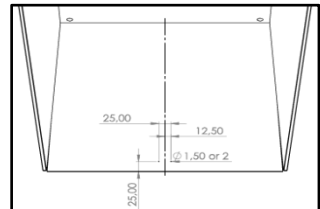


## Parts overview

1. Elastic strap (2x)
2. Snap buttons (6x) + screw countersink 9.5 (6x)
3. Front bracket + 9.5 (2x)
4. Strap holder (3x) + screw 18 (3x)
5. Side bracket (2x) + screw 9.5 (4x)
6. 90% open canopy

## Step 1: Pre drill holes

To prevent the wood from cracking, pre drill two holes with a diameter of 2 mm in the front of the box.

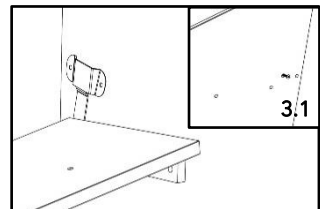


## Step 2: Mount the front bracket

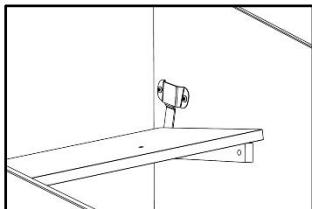
Mount the with the two included screws on the front panel of the box.

## Step 3: Mount the side brackets (bottom)

The bottom of the side brackets is placed between the bench and the box. It is mounted with existing screws which also functions as a hinge (3.1) for the bench.



## 2 Manual 90% open canopy

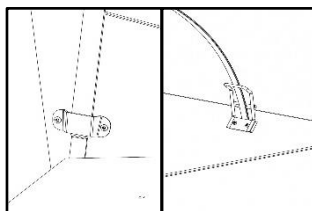


### Step 4: Mount the side brackets (top)

Before inserting the screws, align the top of the side bracket horizontally and predrill two holes with a diameter of 2 mm to prevent the wood from cracking.

### Step 5: Insert the fiber rails in the brackets

Insert the bended fiber rails into the corresponding brackets.



### Step 6: Positioning of the front buttons

Keep the front of the canopy around the box and mark the position of the snap button on both sides.

### Step 7: Mount the front buttons

Mount the front buttons with the included screws and snap the canopy into place.



### Step 8: Mount the elastic straps

Mount the elastic straps on the backside of the canopy by looping it through the canopy and itself.

### 3 Manual 90% open canopy



#### Step 9: positioning of the strap holders

Pull the canopy straight on the rear and mark the position of the strap holder.

#### Step 10: Mount the strap holders

Mount the strap holders with the included screws. Now stretch the straps over the holders to secure them.



#### Step 11: Positioning the side buttons

Lightly pull the canopy into place and mark the position of the buttons on both sides of the box



#### Step 12: Mount the side buttons

Secure the side buttons with the included screws